



DESIGN SHEET

R-SHADE™

PREMIUM INSULATED PATIO COVER





01 Technical Specs

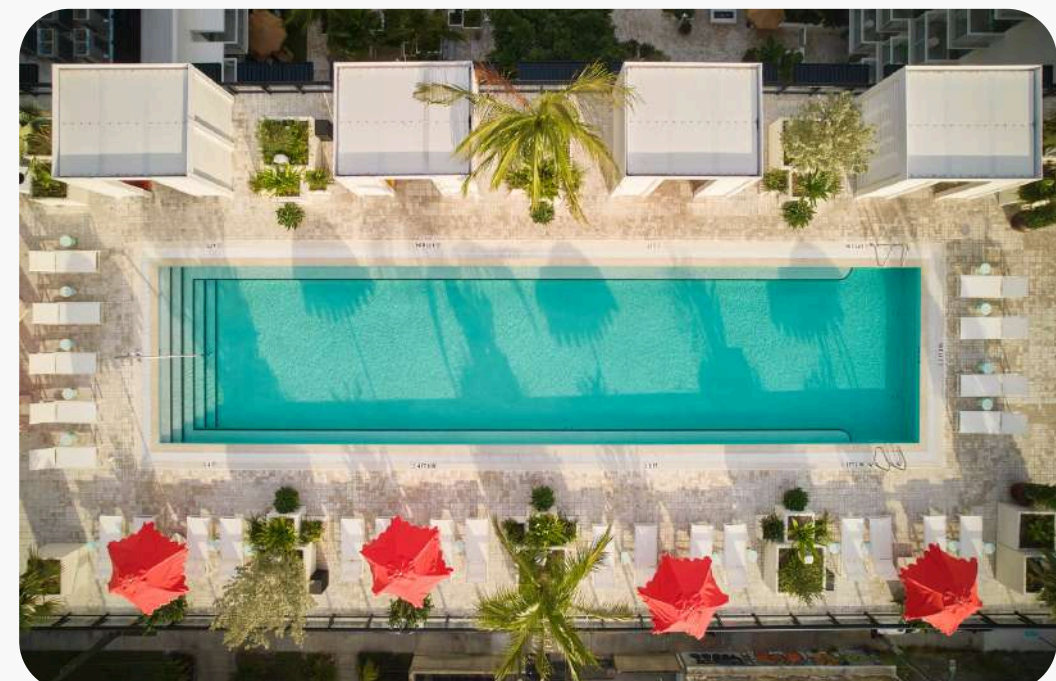
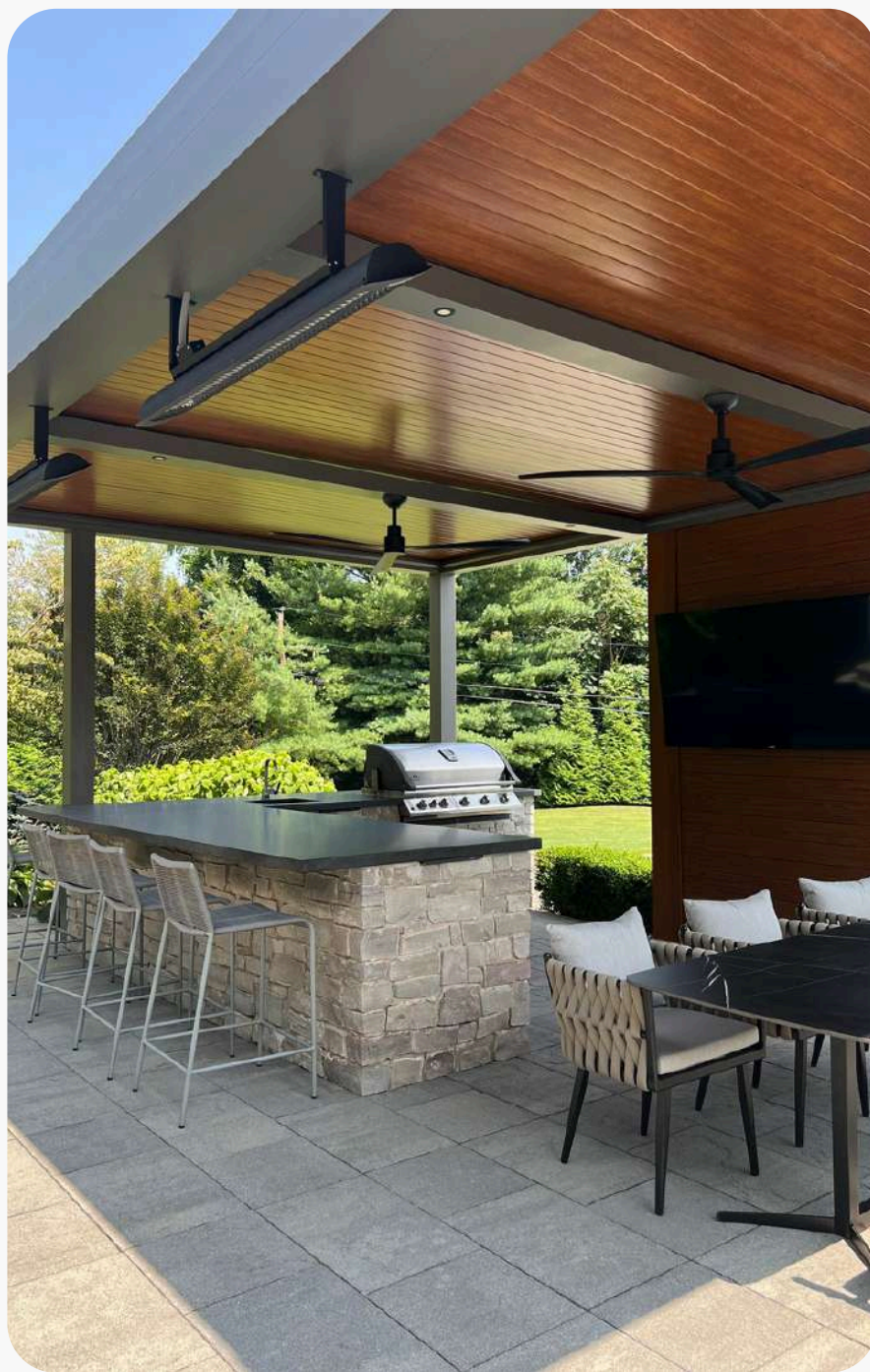
02 Warranty

03 Color Chart

04 Lighting

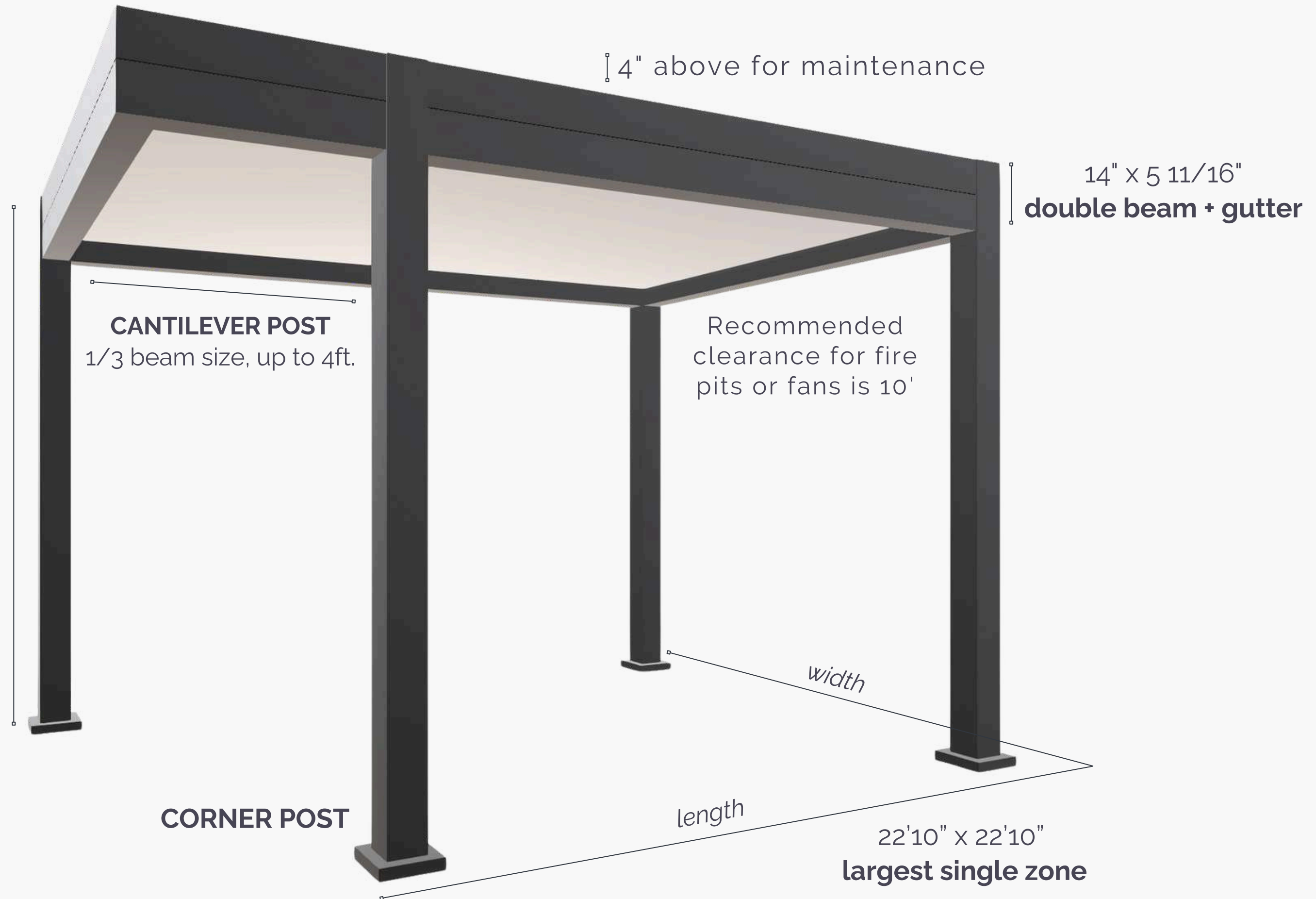
05 Sensors

This document is the intellectual property of Azenco Outdoor and is intended solely for certified dealers; distribution is prohibited.



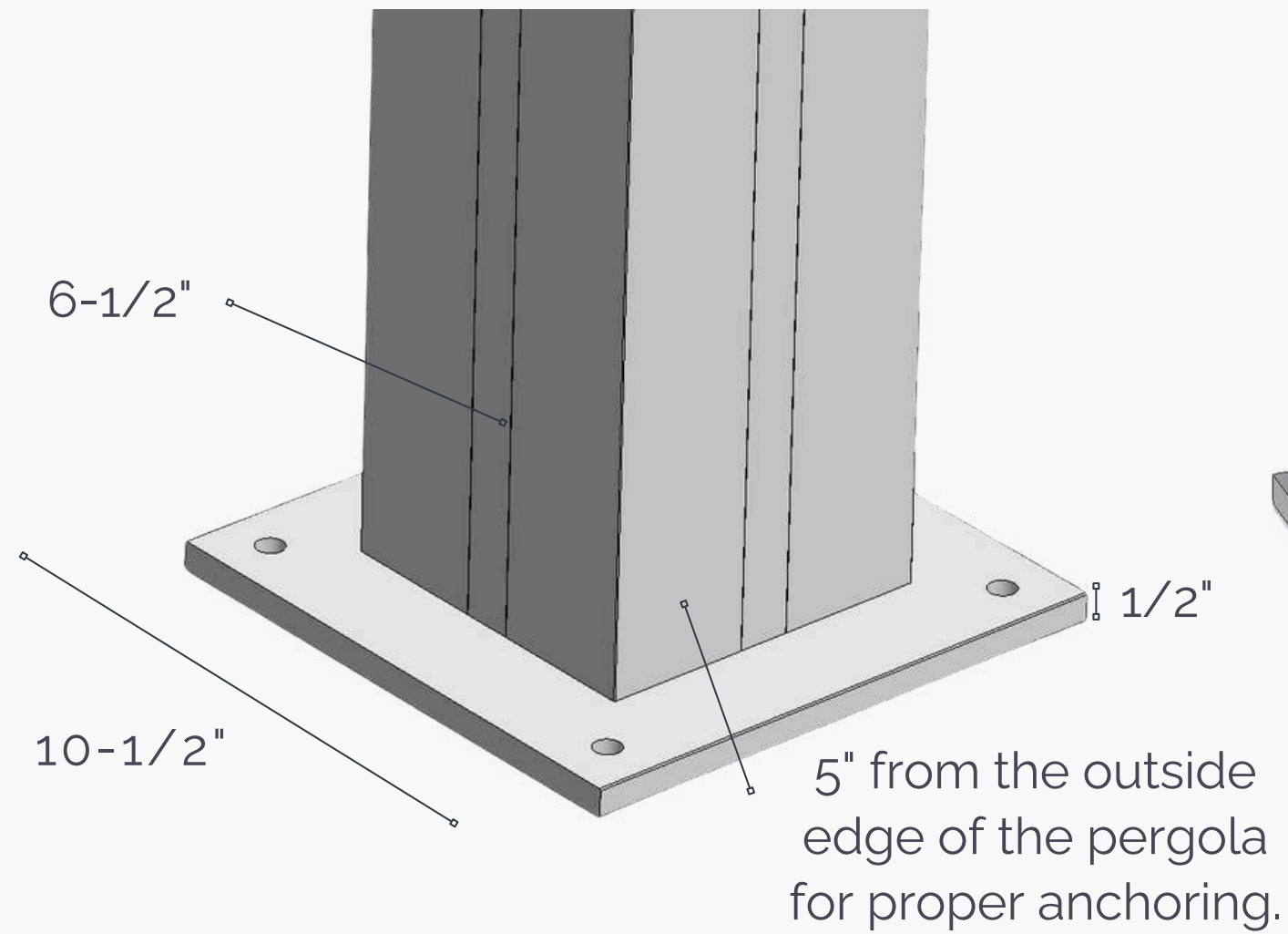
Technical Specs

Dimensions

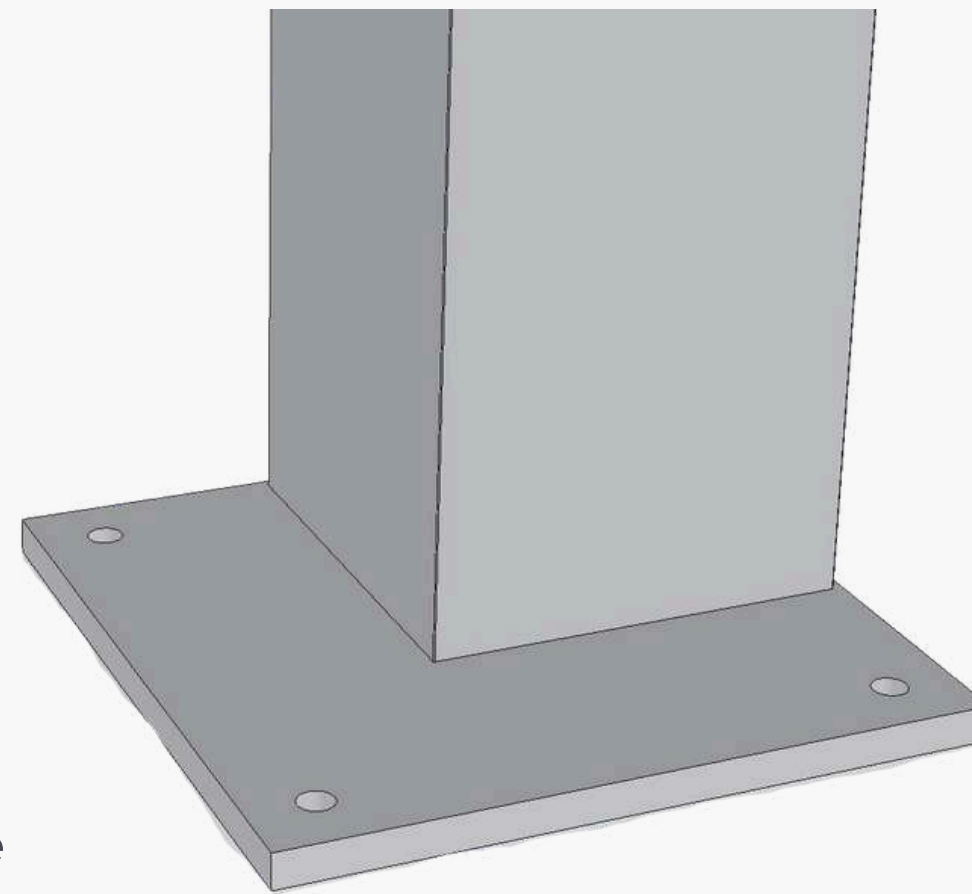


Base Plate

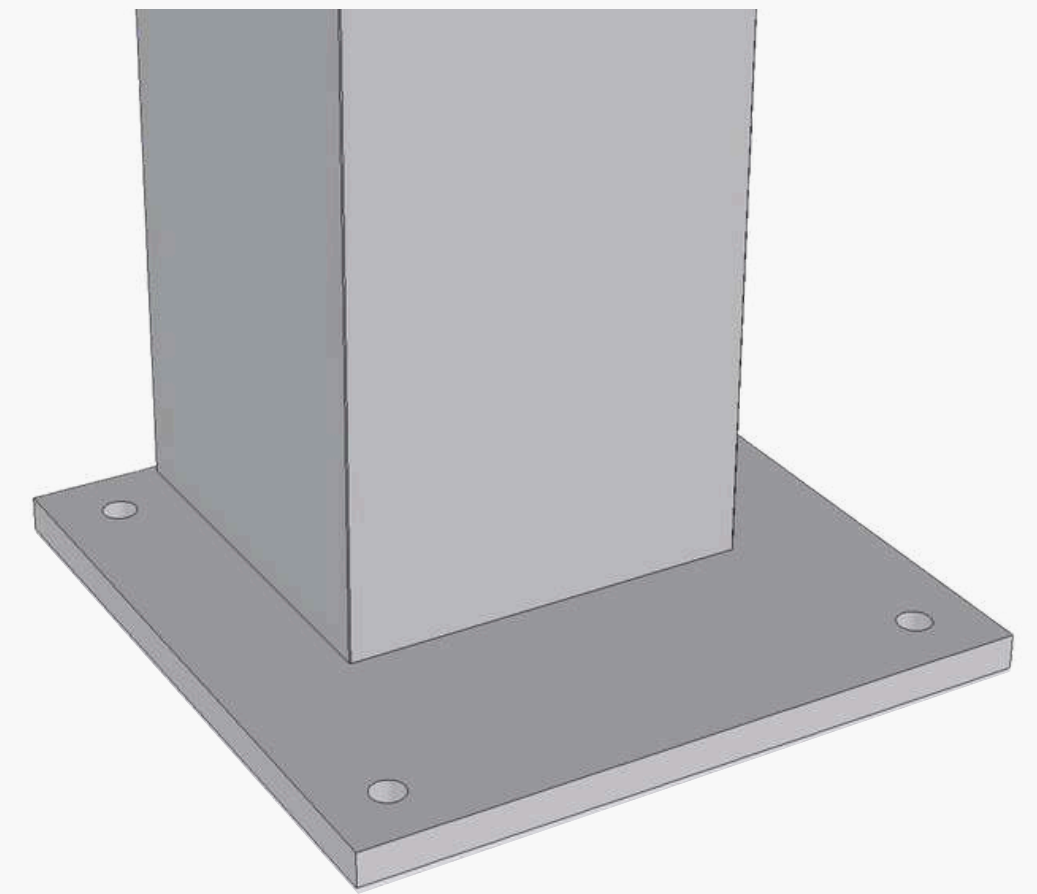
Technical Specs



Base Plate Center



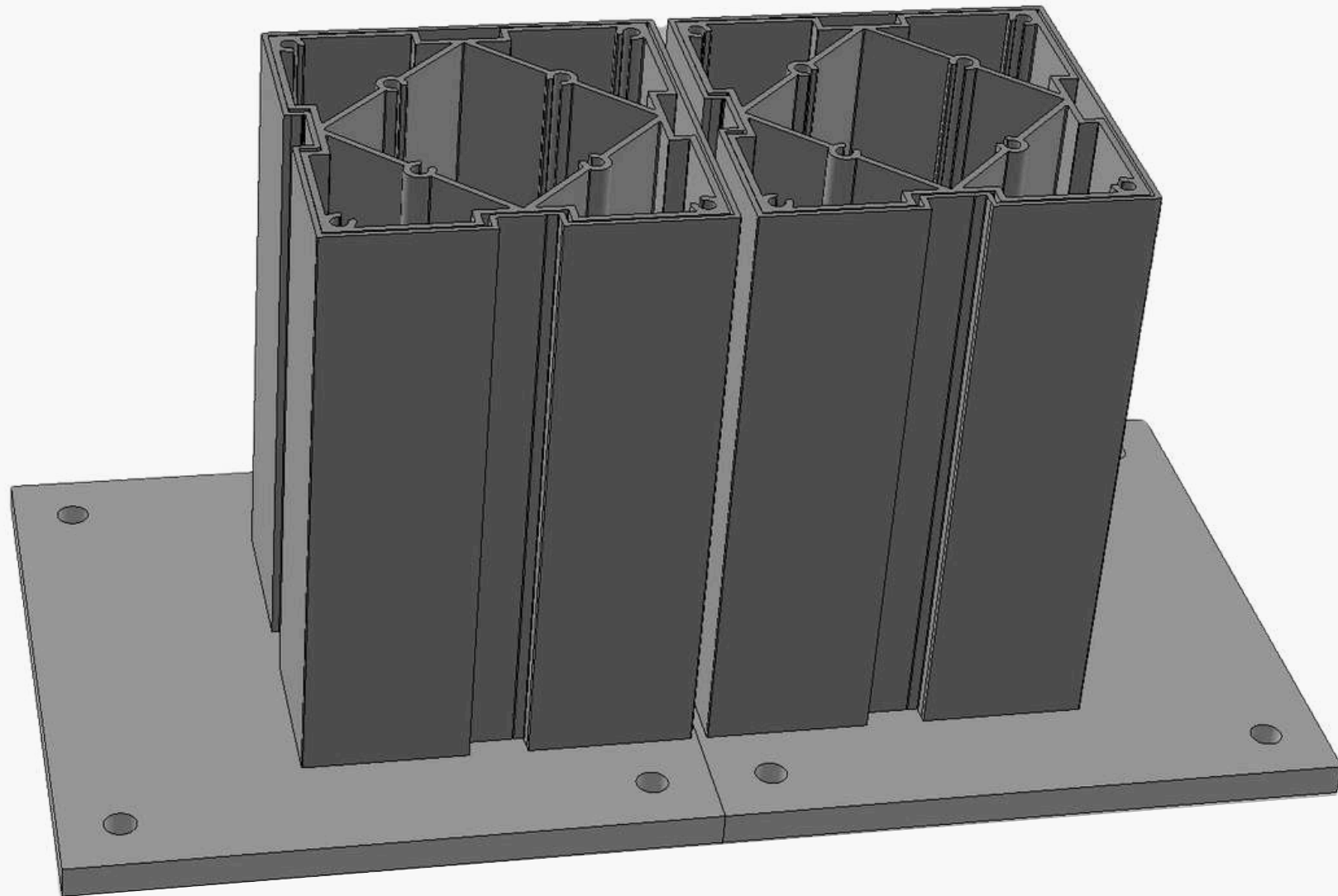
Base Plate Corner



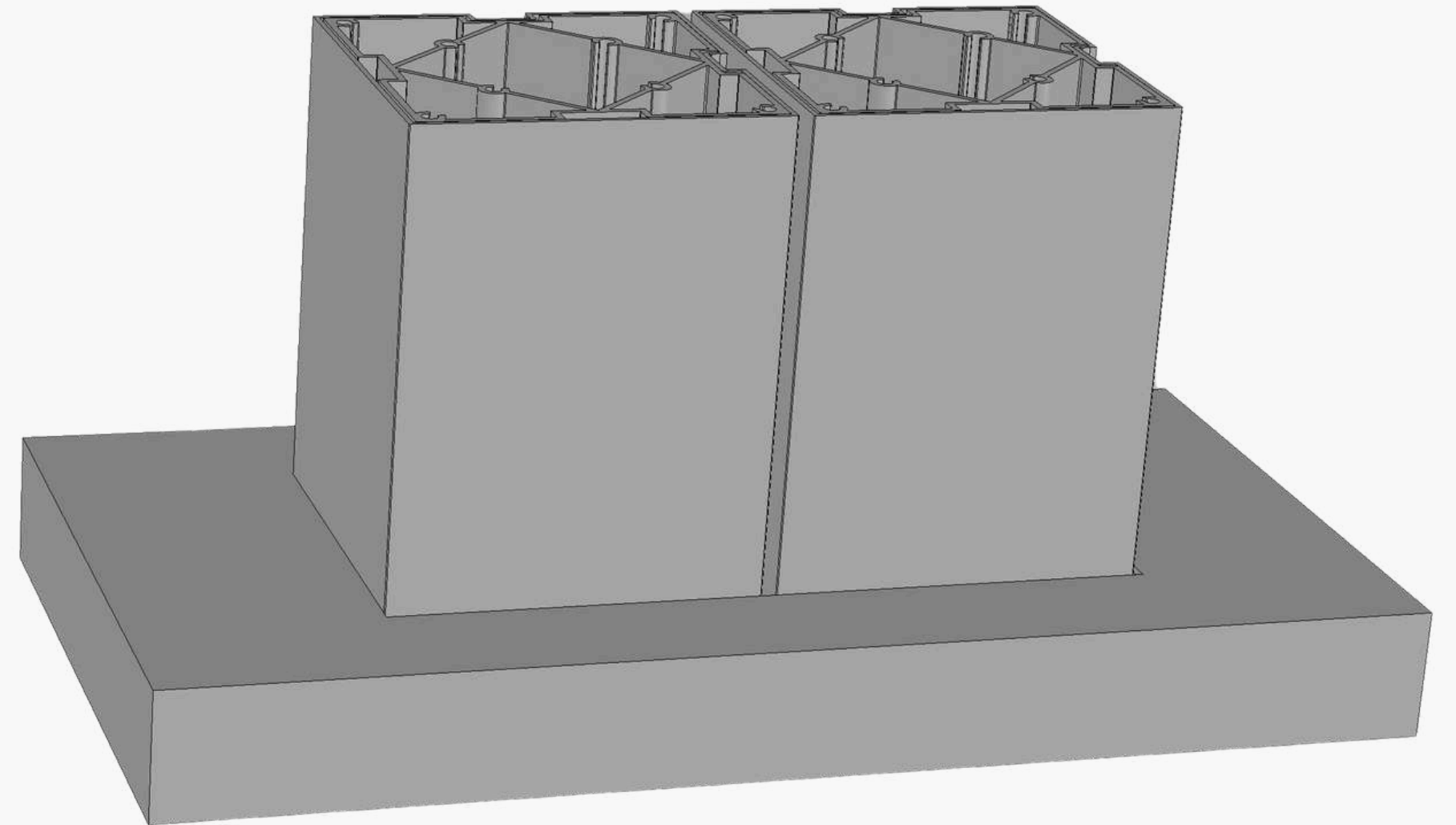
Base Plate Eccentric

Base Plate

Technical Specs



Base Plate Double Eccentric



Double Base Plate Cover

Drainage

Technical Specs



2 TYPES OF DRAINAGE

- PVC pipes installed below ground;
- Scuppers placed either in the post or along the gutter.



1/8" pitch per foot towards the draining posts, in the same direction as panels to optimize drainage.

2 scuppers provided per zone



FOR CANTILEVER POST
Scupper required in gutter.

Panels

Technical Specs



STANDARD PANEL
WHITE OR BRONZE

3" thick | .03" Aluminum sheet

Accessory beam for extra support required when length exceeds **10'** (only in areas with snow & high winds).



PREMIUM PANEL
WOOD GRAIN OR PREMIUM WHITE

3" thick | .03" Aluminum sheet
Leak-proof lock system | No peel-and-seal

Accessory beam for extra support required when length exceeds **15'** (only in areas with snow & high winds).



TECHNICAL SPECS

WARRANTY

COLOR CHART

LIGHTING

PRIVACY WALL

Weight

Technical Specs

→ weight is in pounds, frame only.
→ add 43 pounds per post

LENGTH	WIDTH								
ft	8'	10'	11'	13'	15'	17'	18'	20'	22'10"
8'	235 lbs	268 lbs	272 lbs	293 lbs	338 lbs	375 lbs	382 lbs	418 lbs	10645
10'	268 lbs	300 lbs	300 lbs	325 lbs	370 lbs	407 lbs	415 lbs	451 lbs	458 lbs
12'	289 lbs	322 lbs	326 lbs	347 lbs	392 lbs	428 lbs	436 lbs	472 lbs	480 lbs
14'	330 lbs	362 lbs	366 lbs	387 lbs	432 lbs	470 lbs	477 lbs	513 lbs	520 lbs
16'	338 lbs	370 lbs	374 lbs	395 lbs	440 lbs	477 lbs	485 lbs	520 lbs	528 lbs
18'	382 lbs	415 lbs	419 lbs	440 lbs	485 lbs	522 lbs	529 lbs	565 lbs	573 lbs
22'10"	426 lbs	458 lbs	462 lbs	483 lbs	528 lbs	565 lbs	573 lbs	609 lbs	619 lbs

Warranty

15 years: standard color powdercoat
10 years: custom color powdercoat

10 years: against delamination, peeling, cracking, crazing, or blistering

3 years: electronic & electrical components

15 years: aluminum structural components



Frame

Color Chart

WHITE MAT SMOOTH

SIGNAL WHITE - RAL 9003

AKZONOBEL - YA279QF

CLASS 2 / AAMA 2604

3 to 4 weeks lead time



Frame

Color Chart

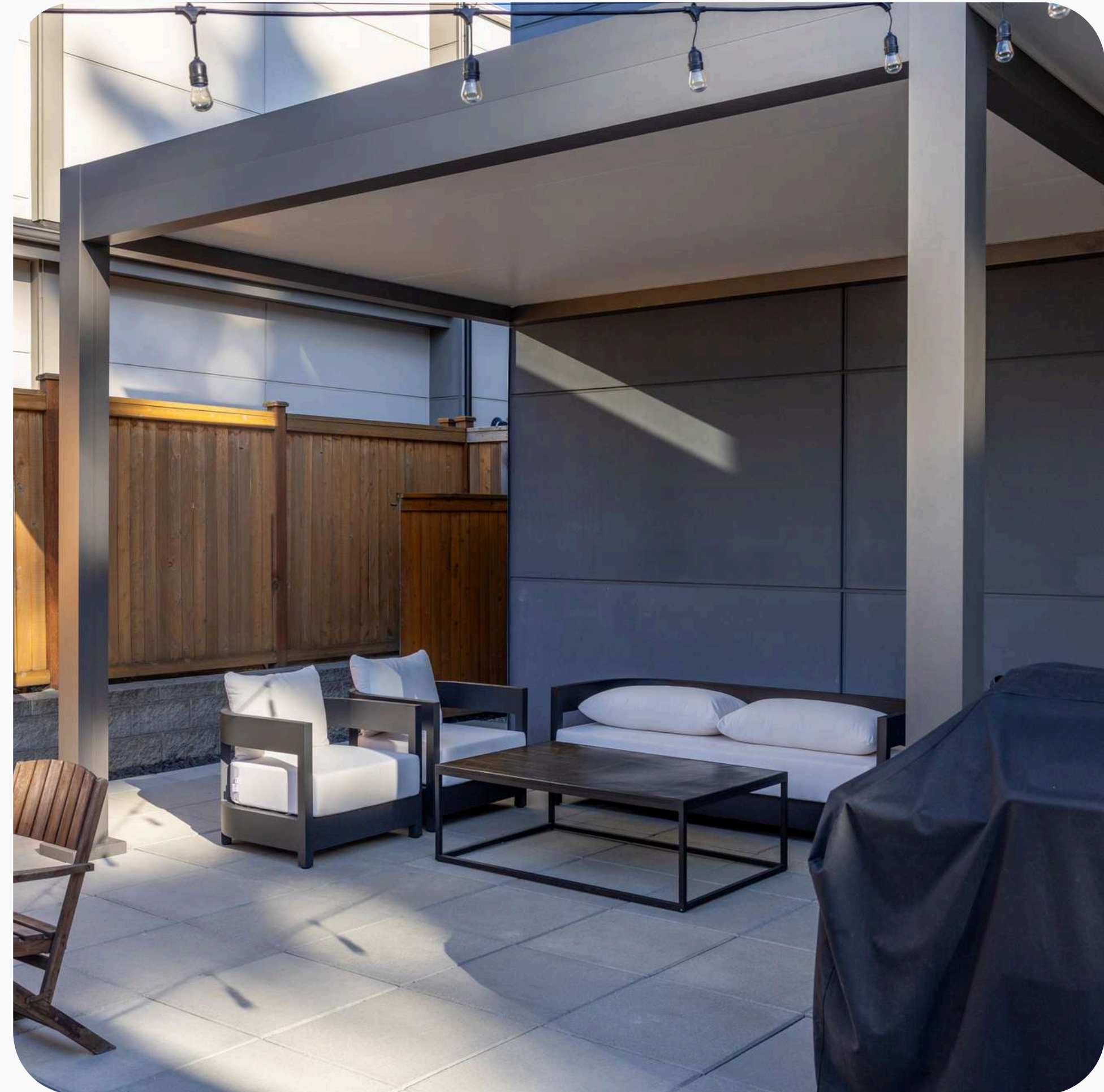
BRONZE / DARK GRAY TEXTURED

GRIS 2900 SABLE

AKZONOBEL – Y2348QF

CLASS 2 / AAMA 2604

3 to 4 weeks lead time



Frame

Color Chart

BLACK TEXTURED

EQUINOX BLACK

AKZONOBEL – YN325QF

CLASS 2 / AAMA 2604

3 to 4 weeks lead time



Frame

Color Chart

CUSTOM COLOR

- AKZONOBEL COLOR CHART

5 to 12 weeks lead time



Panels

Color Chart



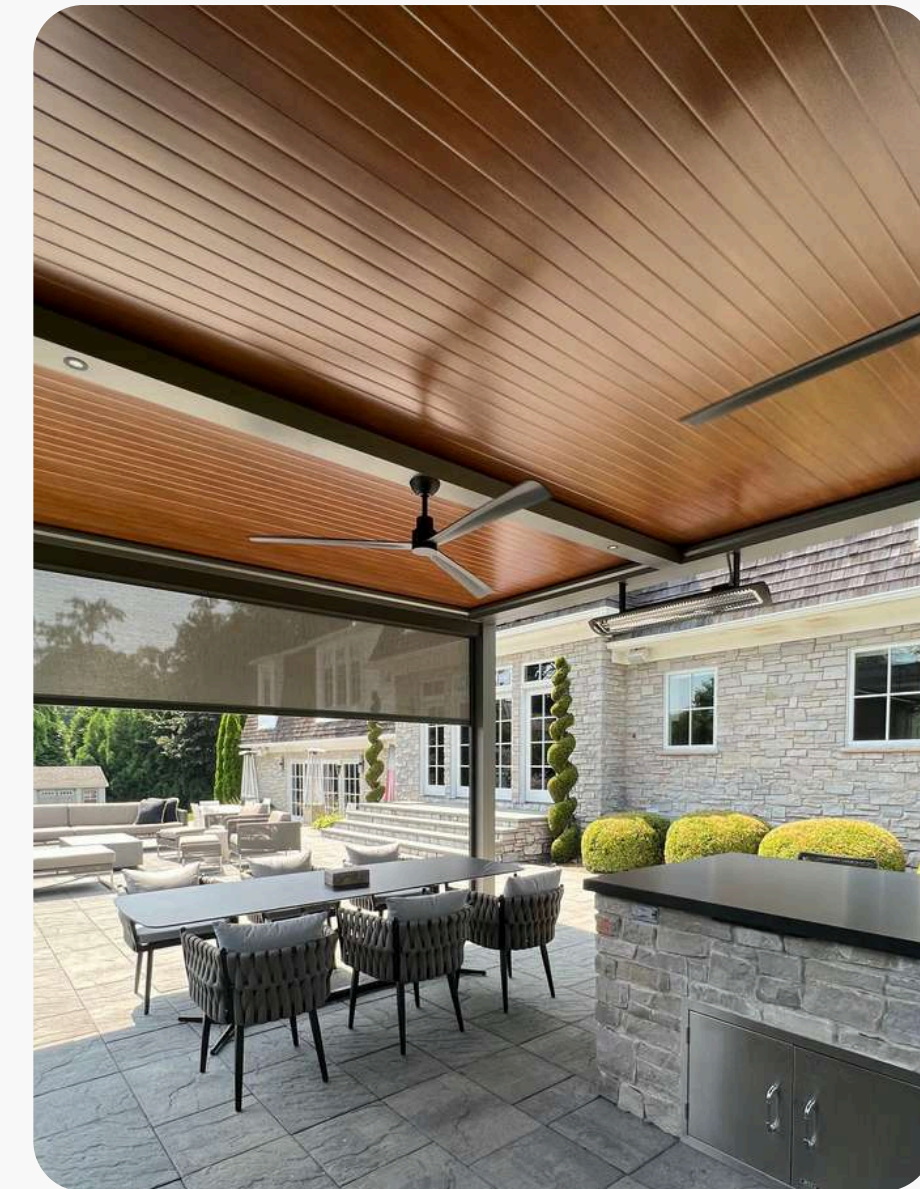
STANDARD WHITE/WHITE



PREMIUM WHITE/WHITE
(EXTRA COST)



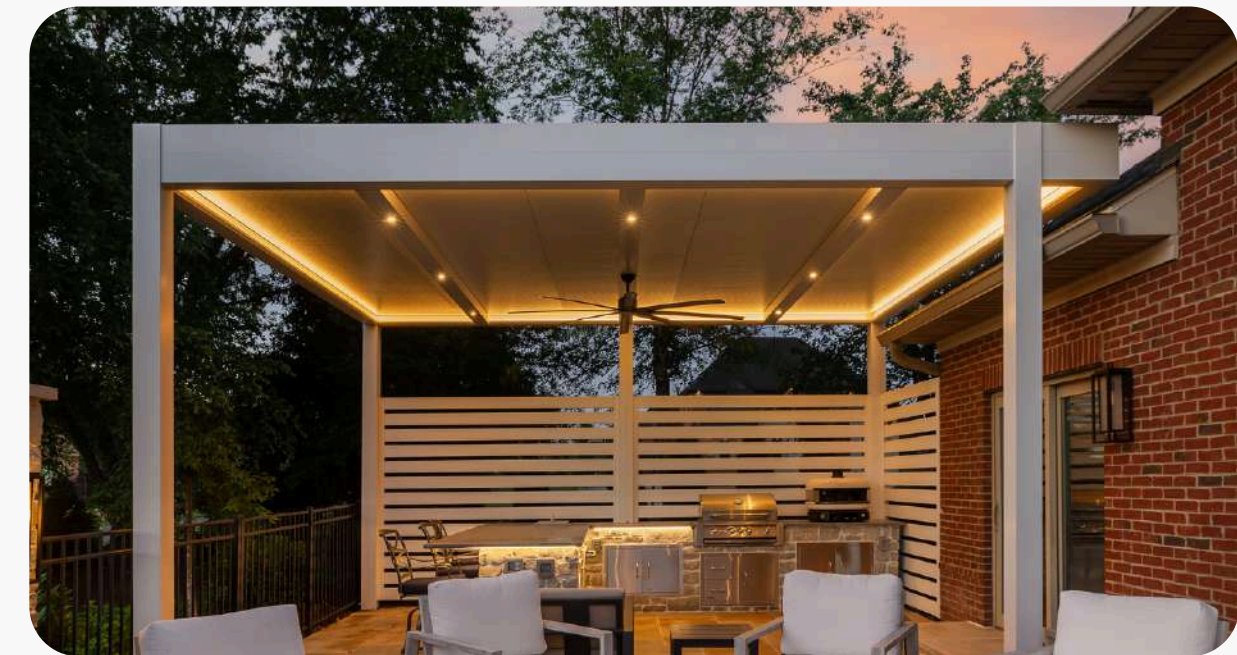
BRONZE/WHITE



WOOD GRAIN FINISH
(EXTRA COST)

Light Options

Lighting



RECESSED LIGHTS

Accessory beam
Recommended - 2.5ft intervals, 1ft from frame

DIRECT LIGHTING 4W - 24V - 320lm

LED RAMPS

Frame - Accessory Beam
Recommended - 3ft intervals, 1ft from frame

DIRECT LIGHTING 12W - 24V - 630lm

RGBW LED STRIPS

Frame - either on length, width, or the entire frame.

Accent Lighting 4.5W/ft - 24V - 730lm

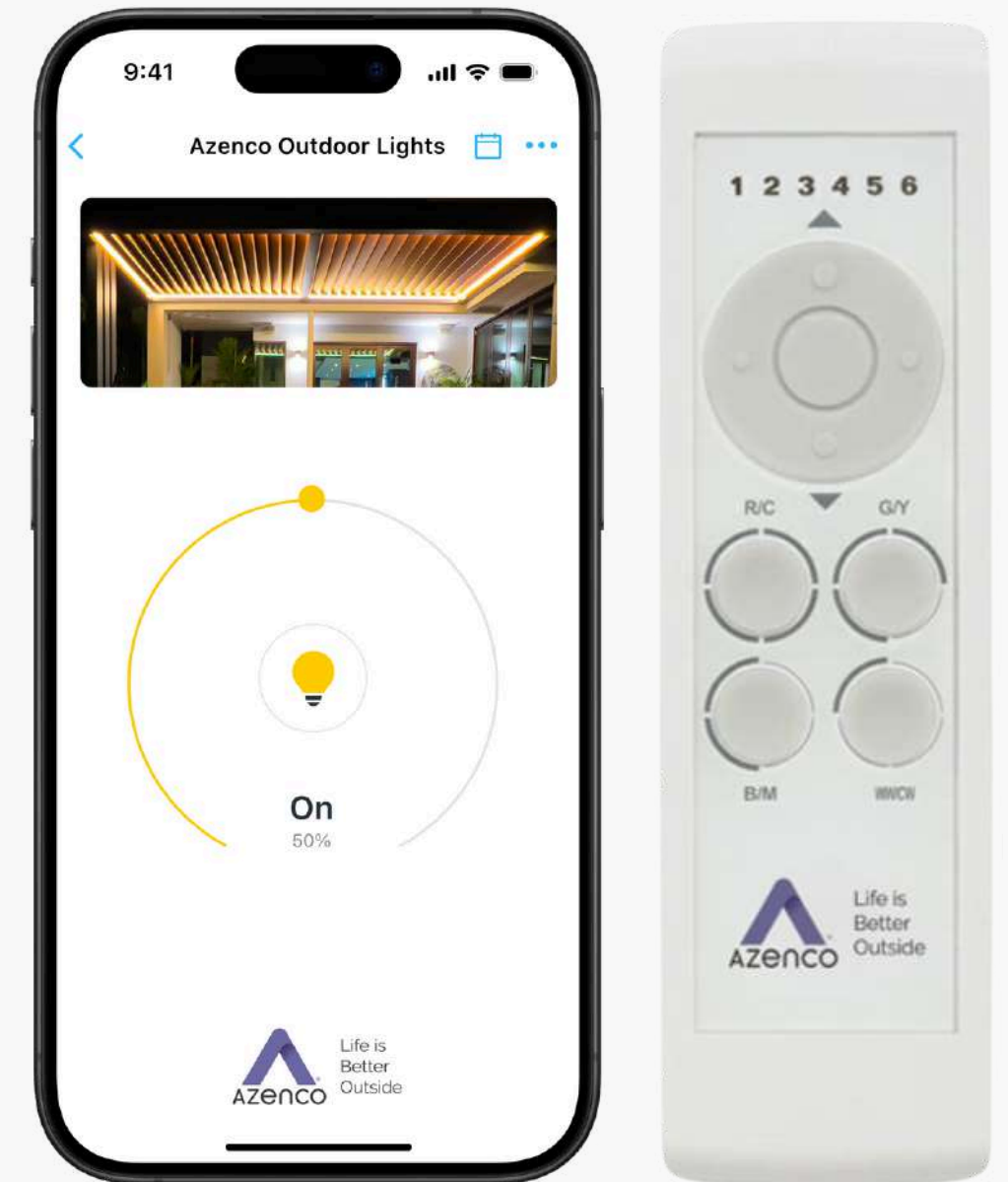
Beware of the potential strobing effect when a fan is on

Lighting Control

Lighting

2700K & dimmable
**controllable with Azenco
 remote & App Control**

	LIGHT CONTROL BOX (OPTIONAL) 20 AMP NEEDED OUTLET			
# OF CHANNELS	4 channels			
LIGHTING OPTIONS	Recessed Light		LED Ramp	LED Strip
MAX PER CHANNEL	6	or	4	or 1
MAX PER CONTROL BOX	24	or	16	or 4



Remember that you can mix and match the lights across different channels to create various configurations within the limits provided.

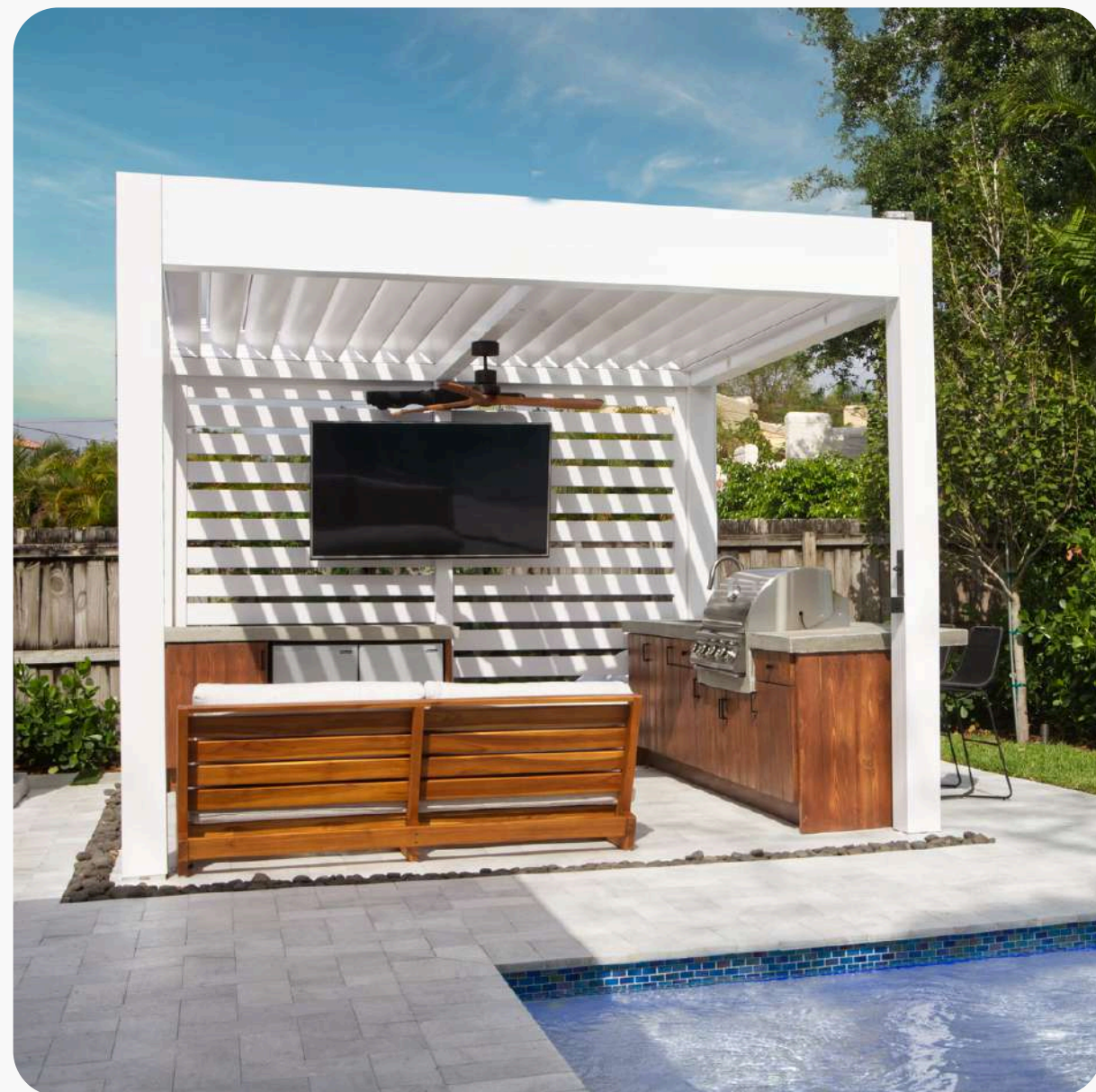
2700K & dimmable - **controllable with Remote Control & App**

Privacy Wall

- 6063-T6 Aluminum
- Standard Powder-Coating AAMA 2604
- **Mounting Color:** Same as frame
- **Center Beam Color:** Same as frame
- **Slat Colors:** Standard Colors - Wood Grain or Custom Finish (extra cost)
- Maximum length between posts is 168"
- Maximum height under beam is 177"
- 2" x 6.5" Center Beam



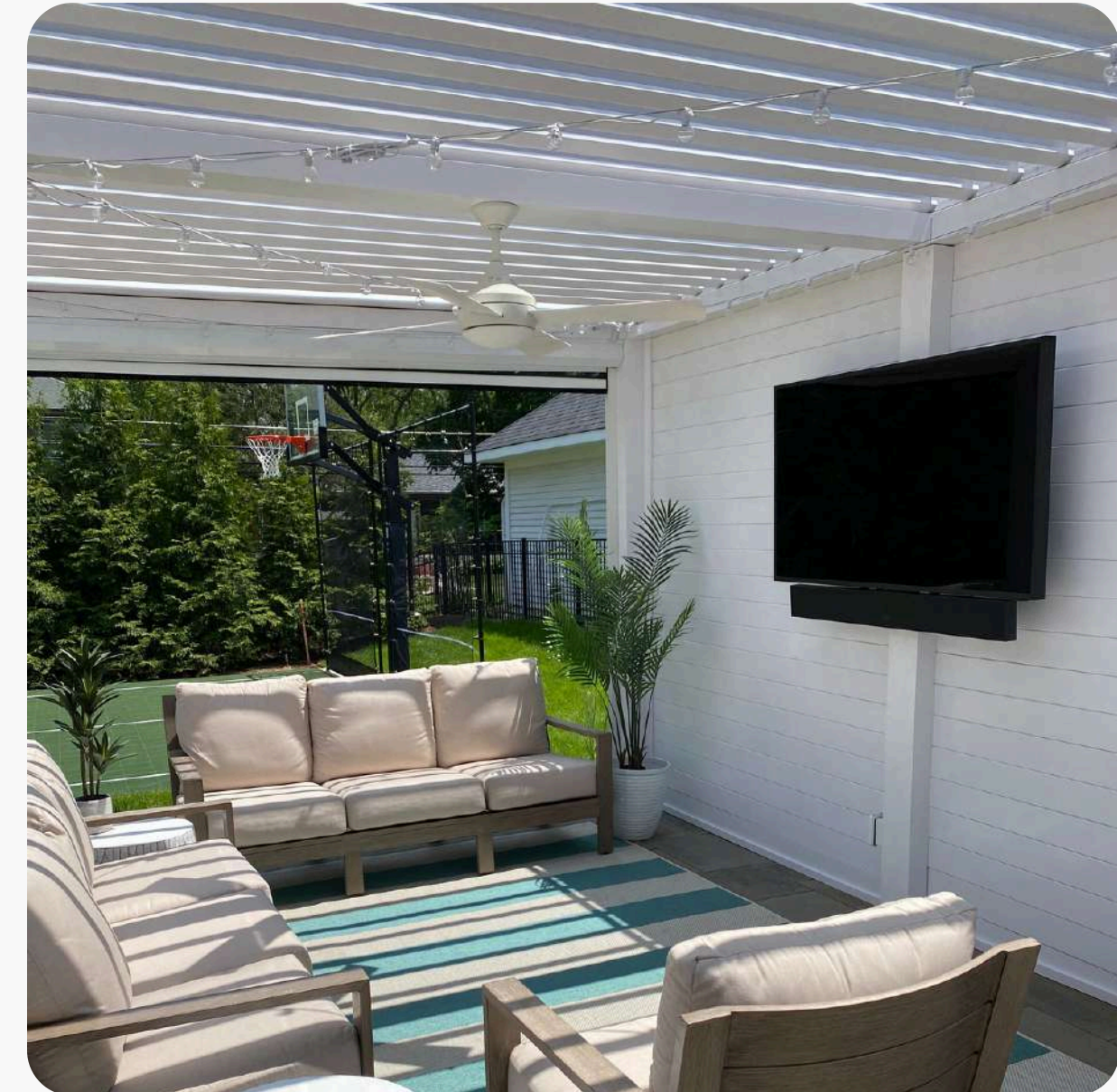
Privacy Wall Options



PRIVACY WALL
with 1.7" gap



PRIVACY WALL
without gap



CENTER BEAM
For any dimension over 10', a center beam is required to avoid sagging.



azenco-outdoor.com

(305) 306-3204

azenco@azenco-outdoor.com

725 SE 9th Ct Hialeah, FL 33010