

COMPETITIVE ANALYSIS

MANUAL LOUVERED PERGOLA



Competitive Analysis



VS

STRUXURE

TUUCI[®]

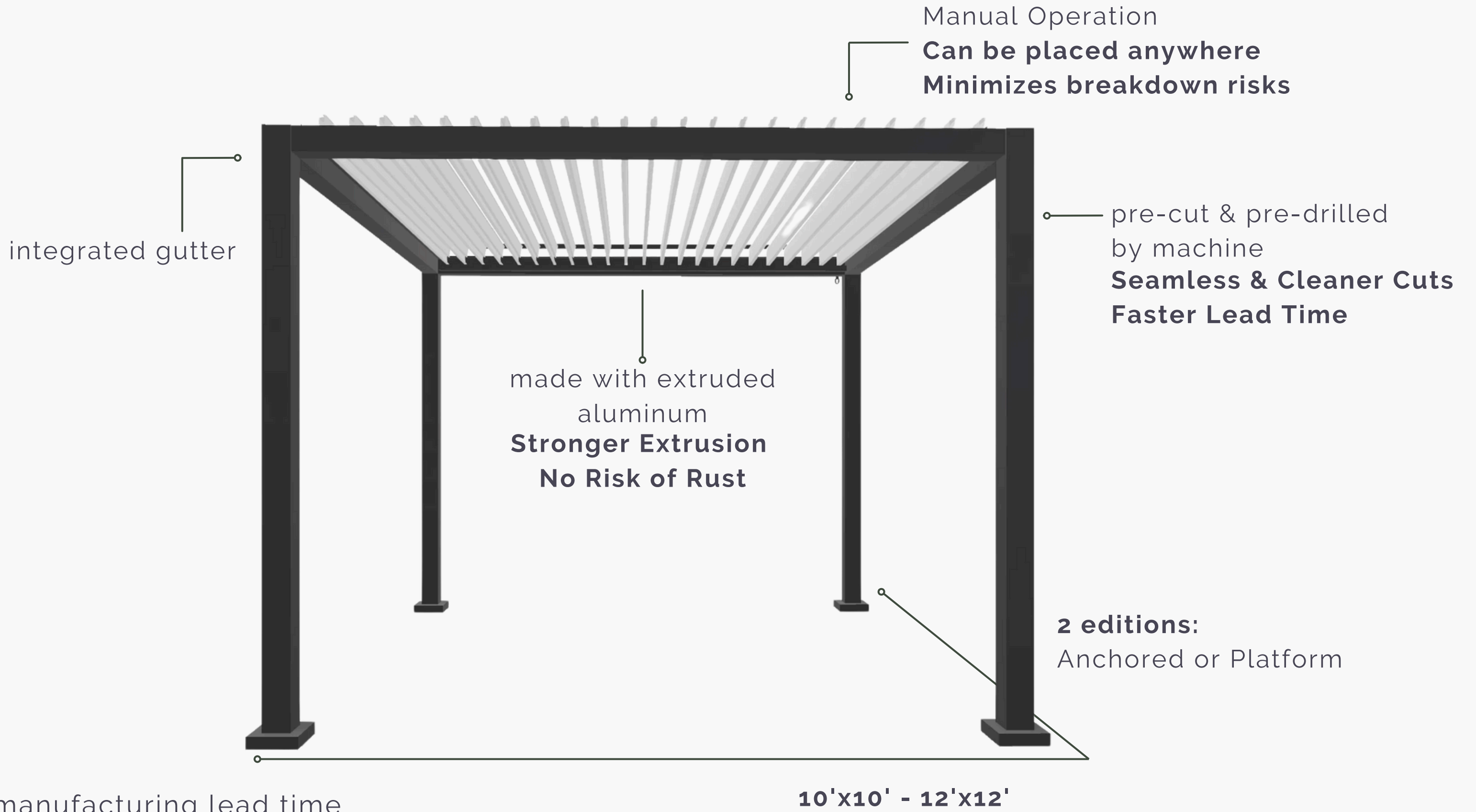
Hansø
designed in Sweden

BON PERGOLA

GREENAWN
格绿朗室外遮阳



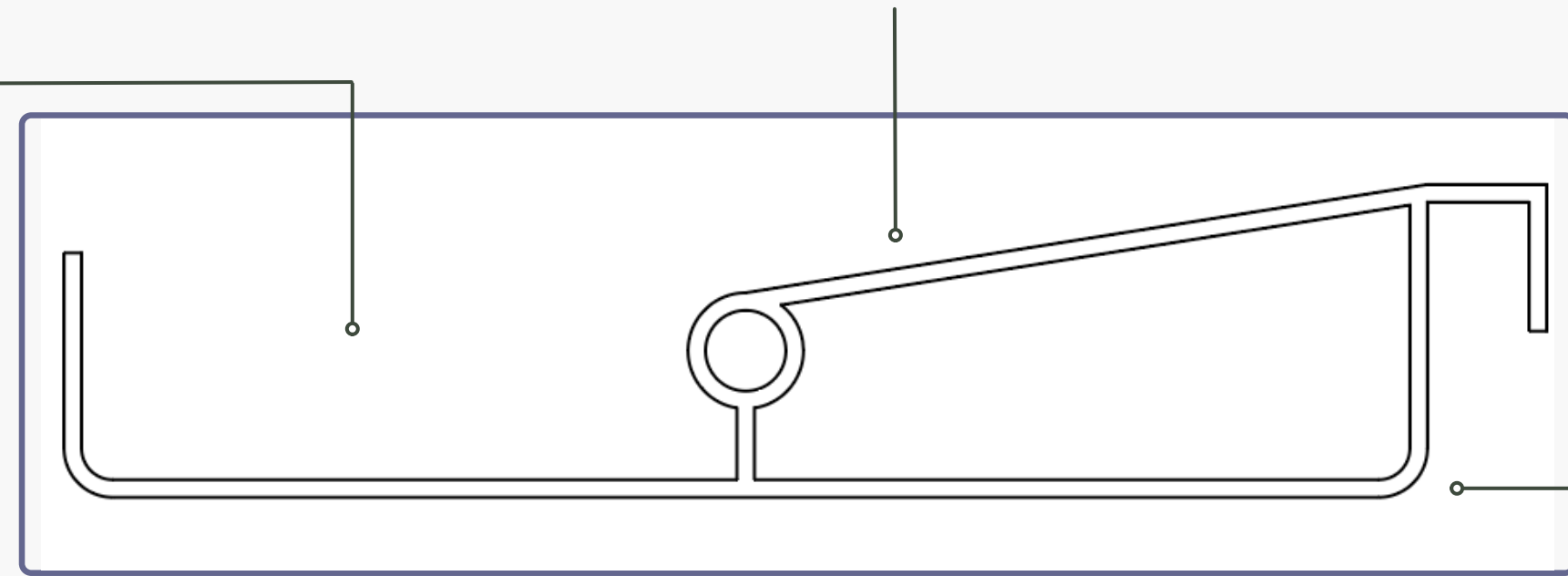
3 to 4 weeks - manufacturing lead time





Dual-Wall Louvers
Better Resistance - Less Noise

integrated slope
Better Drainage Capacity

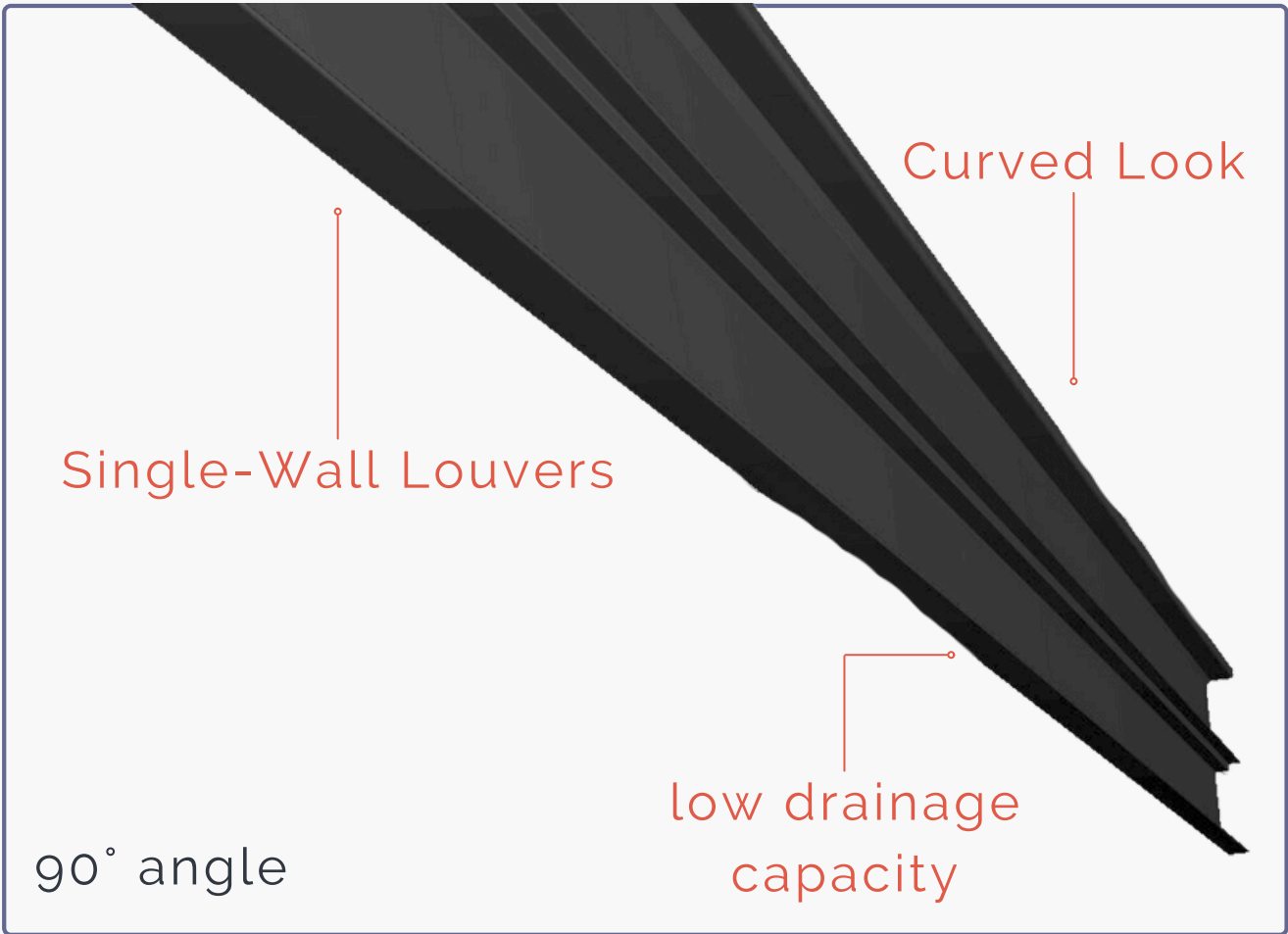


Louvers sealed
with gutter
**Flat Look -
Better Waterproofness**

90° angle

assembly difficulty: +
starting at \$8,667

STRUXURE



size: 10'x10'
assembly difficulty: +
starting at \$17,750

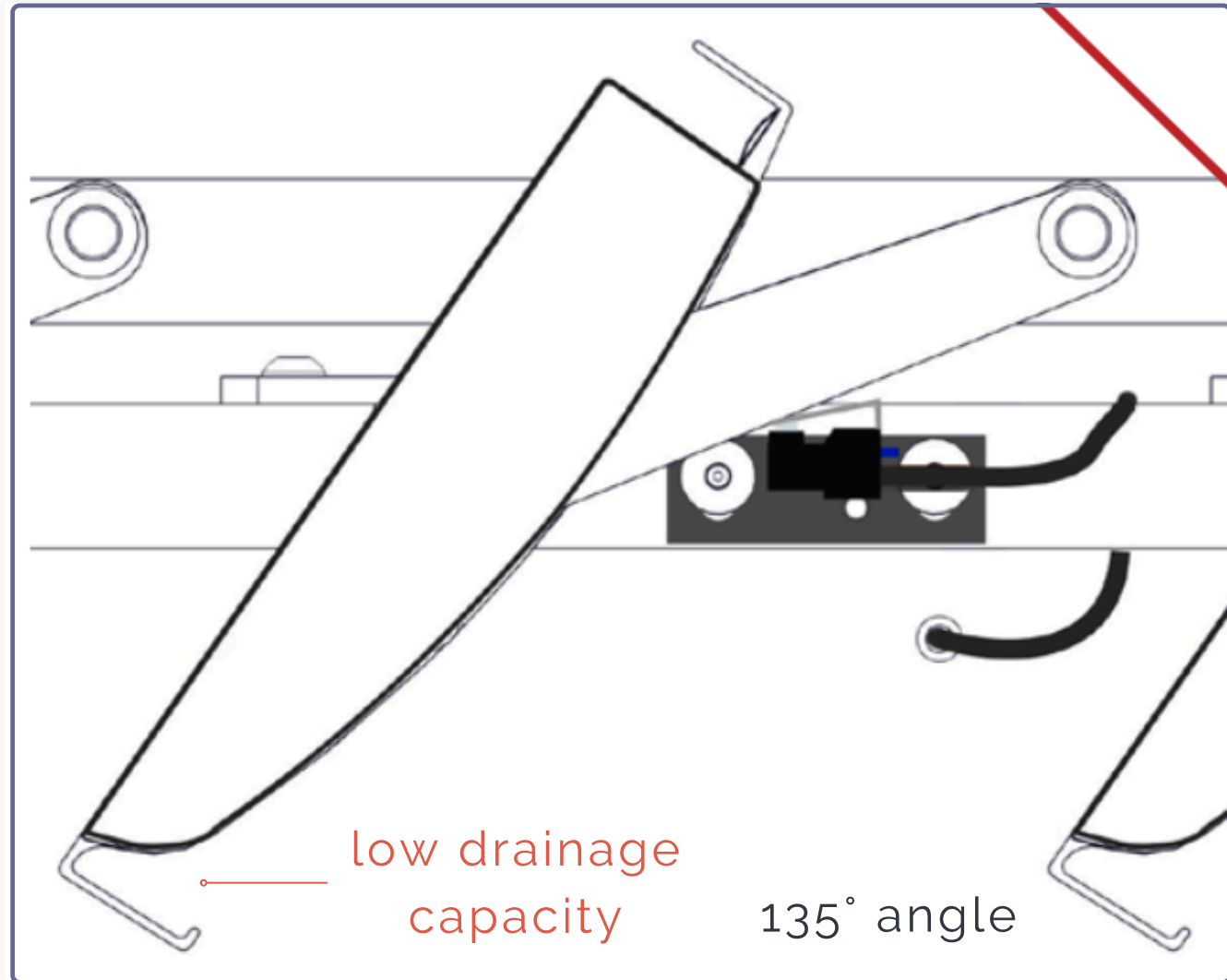
No integrated gutter

Only Motorized Roof
Requires exterior GFI outlet



Recessed electrical components are concealed

Only anchored



sizes: 8'x8' - 10'x10' - 12'x12' - 10'x12' - 8'x10'
assembly difficulty: +++
starting at \$8,667

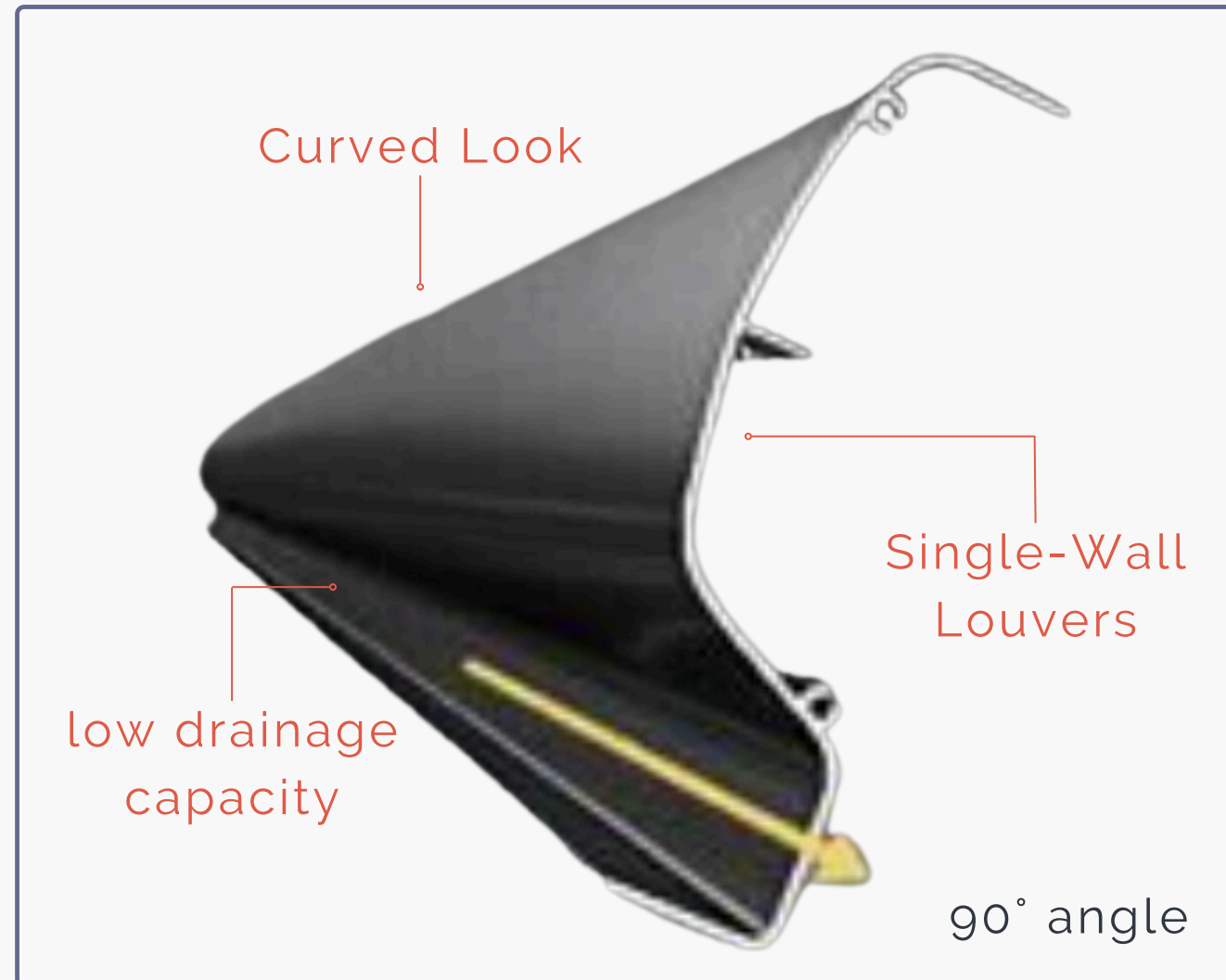
Requires exterior GFI outlet for motorized version and options



Only anchored

Hansø

designed in Sweden



sizes: 10'x10' - 10'x13' - 13'x13'

assembly difficulty: + but end customer has to do it starting at \$5,997

Requires exterior GFI outlet for motorized version and options



Only anchored



azenco-outdoor.com

(305) 306-3204

azenco@azenco-outdoor.com

725 SE 9th Ct Hialeah, FL 33010